

DL63

Osram

VALVES

DL63 DOUBLE-DIODE-TRIODE

DESCRIPTION

Type DL63 combines a double diode and triode electrode system on a common cathode, the two diodes being enclosed within a metal shield joined to the cathode, providing an electrostatic screen.

RATINGS

Heater Voltage	6.3	volts
Heater Current	0.3	amp

Triode :

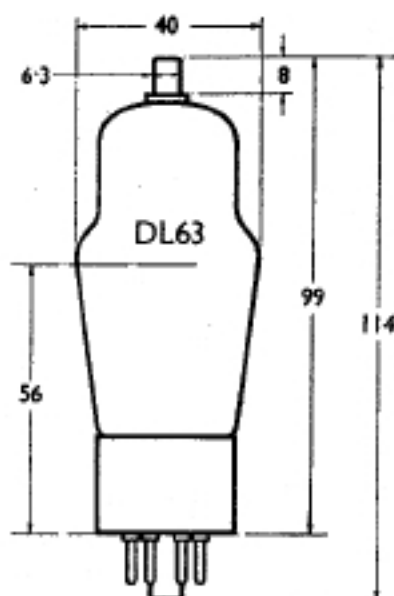
Anode Voltage	250	max. volts
Amplification Factor*	36	
Impedance*	22,500	ohms
Mutual Conductance*...	1.60	mA/V

* measured at $V_a = 250$, $V_g = -3$

Capacitances :

Grid to Anode	2.3	approx. pF
Grid to Cathode	1.5	" "
Anode to Cathode	3.5	" "
Diodes to All other Electrodes	6.5	" "

DIMENSIONS

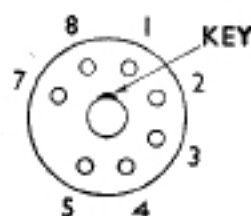


BASE

7-PIN OCTAL

Pin 1:	Not Connected
2:	Heater
3:	Anode
4:	Diode
5:	Diode
6:	Omitted
7:	Heater
8:	Cathode

Top Cap: Control Grid



View looking on underside of base.

Type DL63 is not supplied in metallised bulb. Screening should be used when necessary.

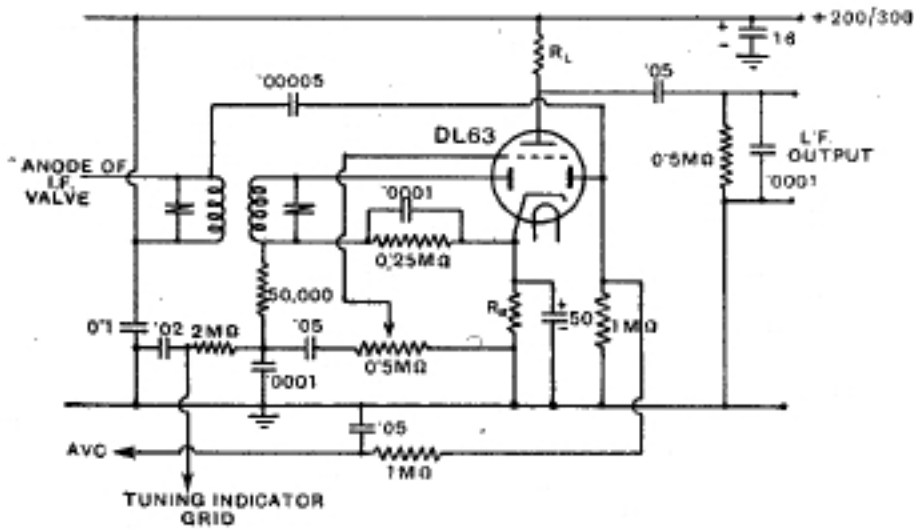
All dimensions are in mm. and are the maximum except where otherwise stated.

TYPE DL63

OPERATING CONDITIONS

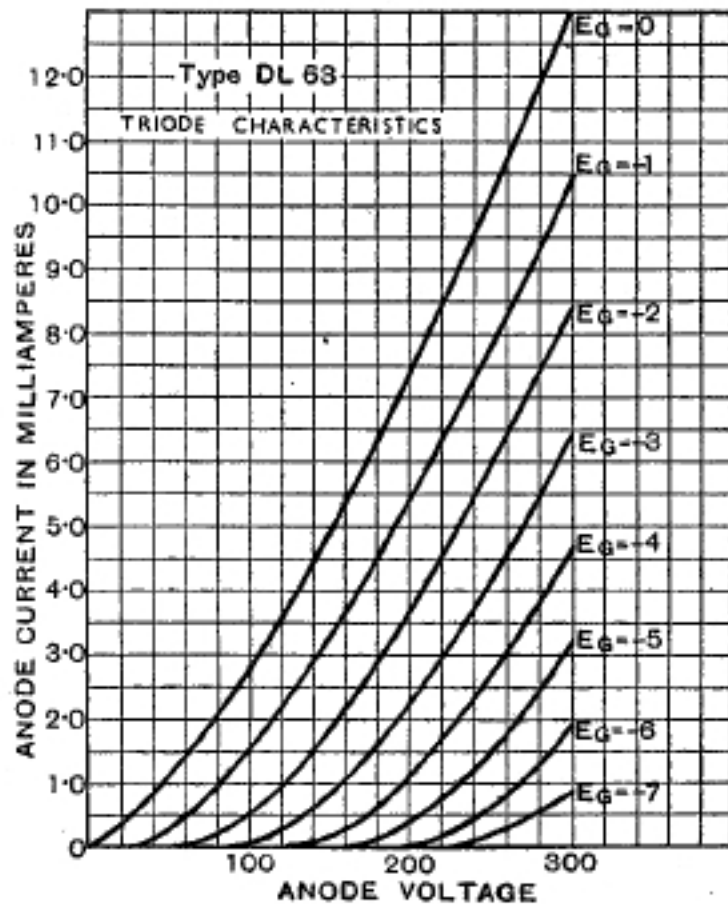
Triode Performance

Anode Load (R_L)	50,000	100,000	150,000	ohms
Stage Gain	24	38	30	
Output Voltage R.M.S.	25	30	29	volts
Bias Resistor (R_B)	1,000	1,500	2,000	ohms



Typical circuit diagram. For values of R_L and R_B , see table above.

CHARACTERISTIC CURVES OF AVERAGE VALVE.

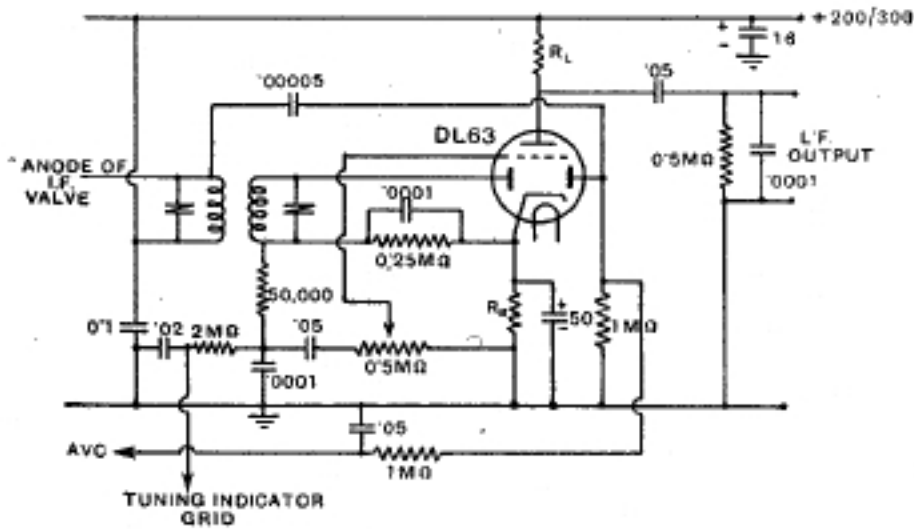


TYPE DL63

OPERATING CONDITIONS

Triode Performance

Anode Load (R_L)	50,000	100,000	150,000	ohms
Stage Gain	24	38	30	
Output Voltage R.M.S.	25	30	29	volts
Bias Resistor (R_B)	1,000	1,500	2,000	ohms



Typical circuit diagram. For values of R_L and R_B , see table above.

CHARACTERISTIC CURVES OF AVERAGE VALVE.

